

CLASSIC

Submittal

JVB-ARS14 20 24
Classic Architectural
Copper/Aluminum and
Steel Elements

JVB Slip Jointed Enclosure

Specification

ENCLOSURE:

- STYLE: Classic Slope
OUTLET: Extruded Aluminum Pencil Proof
- LENGTHS: 2'0" thru 8'0" in 6" Increments
MAT'L: 16 Ga. CRS (Std)
 14 Ga. CRS (Opt'l)
 16 Ga. Stainless Steel (Opt'l)
 14 Ga. Stainless Steel (Opt'l)
 14 Ga. Aluminum (Opt'l)
 12 Ga. Aluminum (Opt'l)
- HEIGHT: 14"
 20"
 24"
- FINISH: Baked Powder (Std)
 Baked Metallic (Opt'l)

ACCESSORIES:

- All Accessories are Overlapping Type
All accessories return to the wall at the bottom and have pre-punched holes for fastening to the wall

ELEMENT:

- TYPE: Cu/Al (Mechanically Expanded)
LENGTHS: 2'0" thru 12'6" in 1" Increments for 1" & 1-1/4" Cu.
2'0" thru 8'0" in 1" Increments for 3/4" Cu.
- One End Flared, (Std)
- TYPE: IPS Steel (Mechanically Expanded)
LENGTHS: 2'0" Thru 12'0" in 1" Increments
 NPT Thread Both Ends (Std)
 Beveled Ends for Field Weld
- See Catalog for Working Pressures

BACKPLATE:

- TYPE: Partial B/P
LENGTHS: 8'0" Only
MAT'L: 20 Ga. Prepainted (Std)
 18 Ga. Galvannealed (Opt'l)
- TYPE: Full Ht. B/P (Opt'l)
LENGTHS: 2'0" thru 8'0" in 6" Increments
MAT'L: 20 Ga. Galvannealed (Opt'l)
 20 Ga. Painted (Opt'l)
 18 Ga. Painted (Opt'l)

AIRSEAL:

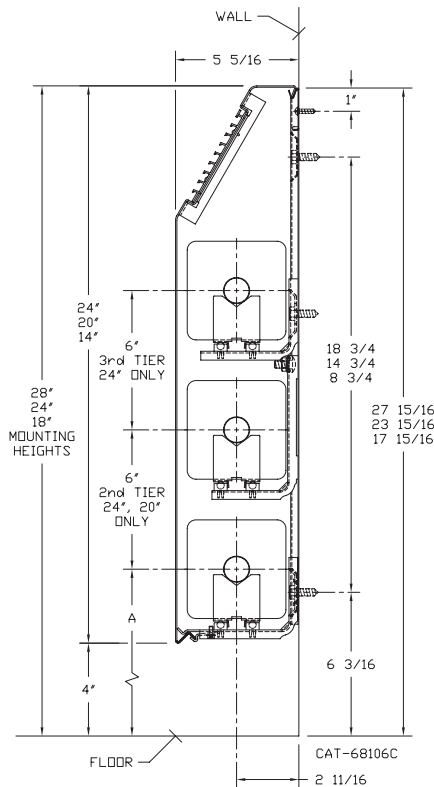
- 1/8" x 3/8" Closed Cell (Opt'l)

BRACKETS:

- Water Brkt w/B.B.
 Steam Brkt w/Brkt Mtd B.B. Hgr
 Wall Brkt w/B.B. Hgr (For 3rd Tier)

DAMPER: Not Available

JVB-ARS14 20 24



ELEMENT TUBE SIZE	FIN SIZE HEIGHT x WIDTH	CRADLE NUMBER	A
3/4" COPPER	3 5/8 x 4 1/4	2	7"
3/4" COPPER	4 1/4 x 4 1/4	3A	7 3/8"
1" COPPER	3 5/8 x 4 1/4	2	7 3/16"
1" COPPER	4 1/4 x 4 1/4	2	7 3/16"
1 1/4" COPPER	3 5/8 x 4 1/4	2	7 5/16"
1 1/4" COPPER	4 1/4 x 4 1/4	2	7 5/16"
1" STEEL	4 1/4 x 4 1/4	2	7 5/16"
1 1/4" STEEL	4 1/4 x 4 1/4	2	7 1/2"
2" STEEL	4 1/4 x 4 1/4	1	7 1/4"



STERLING

COMMERCIAL HYDRONIC PRODUCTS

260 North Elm St., Westfield, MA 01085

(413) 564-5535 Fax: (413) 562-8437

www.sterlingheat.com



PROJECT: _____ DATE: _____

LOCATION: _____

ARCHITECT: _____

ENGINEER: _____

CONTRACTOR: _____

PO NUMBER: _____

STYLE JVB-ARS14 20 24

COPPER/ALUMINUM ELEMENT RATINGS

ALL RATINGS ARE IN BTU/HR/LIN FT AND BASED ON 3 FPS VELOCITY, 65° EAT

TUBE SIZE	CATALOG DESIGNATION	FIN SIZE HEIGHT X WIDTH	FINS PER FT.	FIN THICKNESS IN INCHES	ENCL HEIGHT IN INCHES	TIERS AND CENTERS IN INCHES	MTG. HEIGHT IN INCHES	STEAM 215° FACTOR	HOT WATER (AVG.)								
									200°	190°	180°	170°	160°	150°	140°	130°	120°
									CORRECTION FACTORS FOR AVERAGE WATER TEMPERATURES								
1.00	0.86	0.78	0.69	0.61	0.53	0.45	.40	.33	.26								
3/4"	C3/4-433	3-5/8" x 4-1/4"	32	.020	14	1	18	1520	1310	1190	1050	930	810	680	610	500	400
					20	1	24	1600	1380	1250	1100	980	850	720	640	530	420
					20	2-6 CL	24	2480	2130	1930	1710	1510	1310	1120	990	820	640
					24	1	28	1670	1440	1300	1150	1020	890	750	670	550	430
					24	2-6 CL	28	2570	2210	2000	1770	1570	1360	1160	1030	850	670
3/4"	C3/4-434	3-5/8" x 4-1/4"	40	.020	14	1	18	1700	1460	1330	1170	1040	900	770	680	560	440
					20	1	24	1820	1570	1420	1260	1110	960	820	730	600	470
					20	2-6 CL	24	2580	2220	2010	1780	1570	1370	1160	1030	850	670
					24	1	28	1910	1640	1490	1320	1170	1010	860	760	630	500
					24	2-6 CL	28	2700	2320	2110	1860	1650	1430	1220	1080	890	700
3/4"	C3/4-435	3-5/8" x 4-1/4"	50	.020	14	1	18	1840	1580	1440	1270	1120	980	830	740	610	480
					20	1	24	2090	1800	1630	1440	1270	1110	940	840	690	540
					20	2-6 CL	24	2820	2430	2200	1950	1720	1490	1270	1130	930	730
					24	1	28	2260	1940	1760	1560	1380	1200	1020	900	750	590
					24	2-6 CL	28	3110	2670	2430	2150	1900	1650	1400	1240	1030	810
1"	C433	3-5/8" x 4-1/4"	32	.020	14	1	18	1540	1320	1200	1060	940	820	690	620	510	400
					20	1	24	1620	1390	1260	1120	990	860	730	650	530	420
					20	2-6 CL	24	2500	2150	1950	1720	1530	1330	1130	1000	830	650
					24	1	28	1690	1450	1320	1170	1030	900	760	680	560	440
					24	2-6 CL	28	2590	2230	2020	1790	1580	1370	1170	1040	850	670
1"	C434	3-5/8" x 4-1/4"	40	.020	14	1	18	1780	1530	1390	1230	1090	940	800	710	590	460
					20	1	24	1900	1630	1480	1310	1160	1010	860	760	630	490
					20	2-6 CL	24	2660	2290	2070	1840	1620	1410	1200	1060	880	690
					24	1	28	1990	1710	1550	1370	1210	1050	900	800	660	520
					24	2-6 CL	28	2770	2380	2160	1910	1690	1470	1250	1110	910	720
1"	C435	3-5/8" x 4-1/4"	50	.020	14	1	18	1930	1660	1510	1330	1180	1020	870	770	640	500
					20	1	24	2180	1870	1700	1500	1330	1160	980	870	720	570
					20	2-6 CL	24	2640	2270	2060	1820	1610	1400	1190	1060	870	690
					24	1	28	2360	2030	1840	1630	1440	1250	1060	940	780	610
					24	2-6 CL	28	2910	2500	2270	2010	1780	1540	1310	1160	960	760
1-1/4"	C1433	3-5/8" x 4-1/4"	32	.020	14	1	18	1450	1250	1130	1000	880	770	650	580	480	380
					20	1	24	1530	1320	1190	1060	930	810	690	610	500	400
					20	2 @ 6 CL	24	2360	2030	1840	1630	1440	1250	1060	940	780	610
					24	1	28	1590	1370	1240	1100	970	840	720	640	520	410
					24	2 @ 6 CL	28	2450	2110	1910	1690	1490	1300	1100	980	810	640
1-1/4"	C1434	3-5/8" x 4-1/4"	40	.020	14	1	18	1740	1500	1360	1200	1060	920	780	700	570	450
					20	1	24	1880	1620	1470	1300	1150	1000	850	750	620	490
					20	2 @ 6 CL	24	2610	2240	2040	1800	1590	1380	1170	1040	860	680
					24	1	28	1950	1680	1520	1350	1190	1030	880	780	640	510
					24	2 @ 6 CL	28	2710	2330	2110	1870	1650	1440	1220	1080	890	700
1-1/4"	C1435	3-5/8" x 4-1/4"	50	.020	14	1	18	1860	1600	1450	1280	1130	990	840	740	610	480
					20	1	24	2130	1830	1660	1470	1300	1130	960	850	700	550
					20	2 @ 6 CL	24	2510	2160	1960	1730	1530	1330	1130	1000	830	650
					24	1	28	2270	1950	1770	1570	1380	1200	1020	910	750	590
					24	2 @ 6 CL	28	2810	2420	2190	1940	1710	1490	1260	1120	930	730
3/4"	C3/4-43	4-1/4" SQ.	32	.020	14	1	18	1630	1400	1270	1120	990	860	730	650	540	420
					20	1	24	1720	1480	1340	1190	1050	910	770	690	570	450
					20	2-6 CL	24	2630	2260	2050	1810	1600	1390	1180	1050	870	680
					24	1	28	1790	1540	1400	1240	1090	950	810	720	590	470
					24	2-6 CL	28	2810	2420	2190	1940	1710	1490	1260	1120	930	730
24	3-6 CL	28	3230	2780	2520	2230	1970	1710	1450	1290	1070	840					

STYLE JVB-ARS14 20 24

COPPER/ALUMINUM ELEMENT RATINGS

ALL RATINGS ARE IN BTU/HR/LIN FT AND BASED ON 3 FPS VELOCITY, 65° EAT

TUBE SIZE	CATALOG DESIGNATION	FIN SIZE HEIGHT X WIDTH	FINS PER FT.	FIN THICKNESS IN INCHES	ENCL HEIGHT IN INCHES	TIERS AND CENTERS IN INCHES	MTG. HEIGHT IN INCHES	STEAM 215° FACTOR	HOT WATER (AVG.)									
									200°	190°	180°	170°	160°	150°	140°	130°	120°	
									CORRECTION FACTORS FOR AVERAGE WATER TEMPERATURES									
									1.00	0.86	0.78	0.69	0.61	0.53	0.45	.40	.33	.26
3/4"	C3/4-44	4-1/4" SQ.	40	.020	14	1	18	2030	1750	1580	1400	1240	1080	910	810	670	530	
					20	1	24	2200	1890	1720	1520	1340	1170	990	880	730	570	
					20	2-6 CL	24	2910	2500	2270	2010	1780	1540	1310	1160	960	760	
					24	1	28	2340	2010	1830	1610	1430	1240	1050	940	770	610	
					24	2-6 CL	28	3200	2750	2500	2210	1950	1700	1440	1280	1060	830	
3/4"	C3/4-45	4-1/4" SQ.	50	.020	14	1	18	2040	1750	1590	1410	1240	1080	920	820	670	530	
					20	1	24	2320	2000	1810	1600	1420	1230	1040	930	770	600	
					20	2-6 CL	24	3070	2640	2390	2120	1870	1630	1380	1230	1010	800	
					24	1	28	2470	2120	1930	1700	1510	1310	1110	990	820	640	
					24	2-6 CL	28	3270	2810	2550	2260	1990	1730	1470	1310	1080	850	
1"	C43	4-1/4" SQ.	32	.020	14	1	18	1650	1420	1290	1140	1010	870	740	660	540	430	
					20	1	24	1740	1500	1360	1200	1060	920	780	700	570	450	
					20	2-6 CL	24	2590	2230	2020	1790	1580	1370	1170	1040	850	670	
					24	1	28	1810	1560	1410	1250	1100	960	810	720	600	470	
					24	2-6 CL	28	2830	2430	2210	1950	1730	1500	1270	1130	930	740	
1"	C44	4-1/4" SQ.	40	.020	14	1	18	1880	1620	1470	1300	1150	1000	850	750	620	490	
					20	1	24	2040	1750	1590	1410	1240	1080	920	820	670	530	
					20	2-6 CL	24	2690	2310	2100	1860	1640	1430	1210	1080	890	700	
					24	1	28	2140	1840	1670	1480	1310	1130	960	860	710	560	
					24	2-6 CL	28	2920	2510	2280	2010	1780	1550	1310	1170	960	760	
1"	C45	4-1/4" SQ.	50	.020	14	1	18	2060	1770	1610	1420	1260	1090	930	820	680	540	
					20	1	24	2340	2010	1830	1610	1430	1240	1050	940	770	610	
					20	2-6 CL	24	2680	2300	2090	1850	1630	1420	1210	1070	880	700	
					24	1	28	2510	2160	1960	1730	1530	1330	1130	1000	830	650	
					24	2-6 CL	28	3000	2580	2340	2070	1830	1590	1350	1200	990	780	
1-1/4"	C143	4-1/4" SQ.	32	.020	14	1	18	1620	1390	1260	1120	990	860	730	650	530	420	
					20	1	24	1710	1470	1330	1180	1040	910	770	680	560	440	
					20	2-6 CL	24	2540	2180	1980	1750	1550	1350	1140	1020	840	660	
					24	1	28	1770	1520	1380	1220	1080	940	800	710	580	460	
					24	2-6 CL	28	2780	2390	2170	1920	1700	1470	1250	1110	920	720	
1-1/4"	C144	4-1/4" SQ.	40	.020	14	1	18	1850	1590	1440	1280	1130	980	830	740	610	480	
					20	1	24	2000	1720	1560	1380	1220	1060	900	800	660	520	
					20	2-6 CL	24	2640	2270	2060	1820	1610	1400	1190	1060	870	690	
					24	1	28	2100	1810	1640	1450	1280	1110	950	840	690	550	
					24	2-6 CL	28	2870	2470	2240	1980	1750	1520	1290	1150	950	750	
1-1/4"	C145	4-1/4" SQ.	50	.020	14	1	18	2020	1740	1580	1390	1230	1070	910	810	670	530	
					20	1	24	2300	1980	1790	1590	1400	1220	1040	920	760	600	
					20	2-6 CL	24	2630	2260	2050	1810	1600	1390	1180	1050	870	680	
					24	1	28	2470	2120	1930	1700	1510	1310	1110	990	820	640	
					24	2-6 CL	28	2950	2540	2300	2040	1800	1560	1330	1180	970	770	
24	3-6 CL	28	3330	2860	2600	2300	2030	1760	1500	1330	1100	870						

STYLE JVB-ARS14 20 24

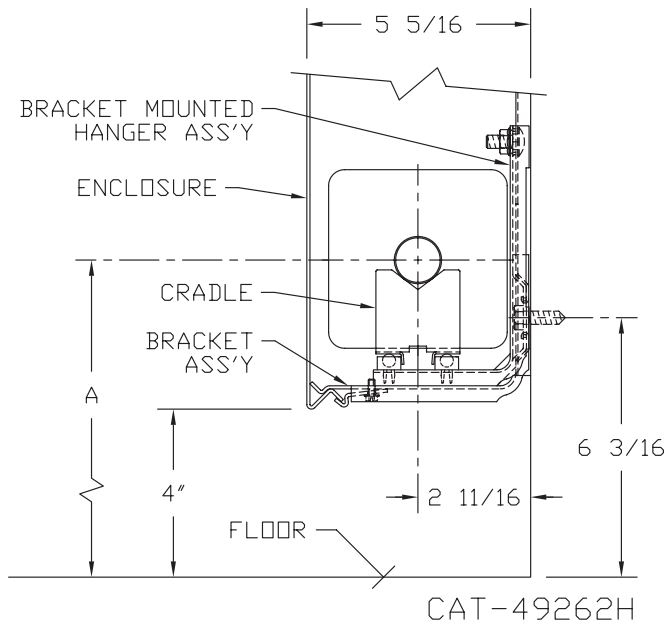
STEEL ELEMENT RATINGS

ALL RATINGS ARE IN BTU/HR/LIN FT AND BASED ON 3 FPS VELOCITY, 65° EAT

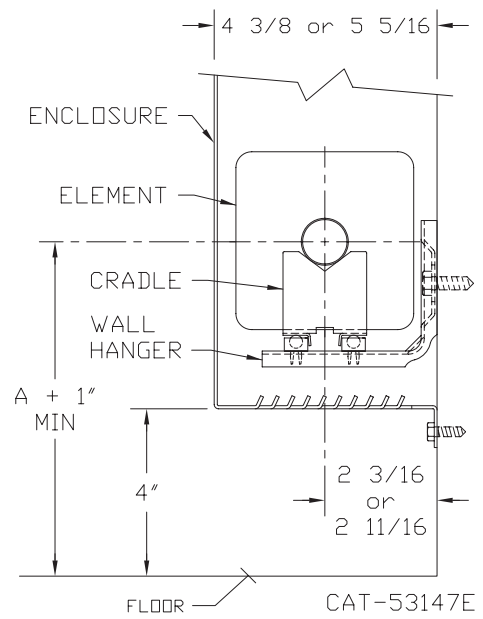
TUBE SIZE	CATALOG DESIGNATION	FIN SIZE HEIGHT X WIDTH	FINS PER FT.	FIN THICKNESS IN INCHES	ENCL HEIGHT IN INCHES	TIERS AND CENTERS IN INCHES	MTG. HEIGHT IN INCHES	STEAM 215° FACTOR	HOT WATER (AVG.)									
									200°	190°	180°	170°	160°	150°	140°	130°	120°	
									CORRECTION FACTORS FOR AVERAGE WATER TEMPERATURES									
									1.00	0.86	0.78	0.69	0.61	0.53	0.45	.40	.33	.26
1"	S43	4-1/4" SQ.	32	.032	14	1	18	1410	1210	1100	970	860	750	630	560	470	370	
					20	1	24	1460	1260	1140	1010	890	770	660	580	480	380	
					20	2-6 CL	24	2200	1890	1720	1520	1340	1170	990	880	730	570	
					24	1	28	1500	1290	1170	1040	920	800	680	600	500	390	
					24	2-6 CL	28	2270	1950	1770	1570	1380	1200	1020	910	750	590	
1"	S44	4-1/4" SQ.	40	.032	14	1	18	1580	1360	1230	1090	960	840	710	630	520	410	
					20	1	24	1680	1440	1310	1160	1020	890	760	670	550	440	
					20	2-6 CL	24	2380	2050	1860	1640	1450	1260	1070	950	790	620	
					24	1	28	1740	1500	1360	1200	1060	920	780	700	570	450	
					24	2-6 CL	28	2490	2140	1940	1720	1520	1320	1120	1000	820	650	
1"	S45	4-1/4" SQ.	50	.032	14	1	18	1655	1420	1290	1140	1010	880	740	660	550	430	
					20	1	24	1760	1510	1370	1210	1070	930	790	700	580	460	
					20	2-6 CL	24	2435	2090	1900	1680	1490	1290	1100	970	800	630	
					24	1	28	1825	1570	1420	1260	1110	970	820	730	600	470	
					24	2-6 CL	28	2550	2190	1990	1760	1560	1350	1150	1020	840	660	
1-1/4"	S143	4-1/4" SQ.	32	.032	14	1	18	1300	1120	1010	900	790	690	590	520	430	340	
					20	1	24	1340	1150	1050	920	820	710	600	540	440	350	
					20	2-6 CL	24	2020	1740	1580	1390	1230	1070	910	810	670	530	
					24	1	28	1380	1190	1080	950	840	730	620	550	460	360	
					24	2-6 CL	28	2080	1790	1620	1440	1270	1100	940	830	690	540	
1-1/4"	S144	4-1/4" SQ.	40	.032	14	1	18	1570	1350	1220	1080	960	830	710	630	520	410	
					20	1	24	1670	1440	1300	1150	1020	890	750	670	550	430	
					20	2-6 CL	24	2370	2040	1850	1640	1450	1260	1070	950	780	620	
					24	1	28	1730	1490	1350	1190	1060	920	780	690	570	450	
					24	2-6 CL	28	2480	2130	1930	1710	1510	1310	1120	990	820	640	
1-1/4"	S145	4-1/4" SQ.	50	.032	14	1	18	1645	1410	1280	1140	1000	870	740	660	540	430	
					20	1	24	1750	1510	1370	1210	1070	930	790	700	580	460	
					20	2-6 CL	24	2390	2060	1860	1650	1460	1270	1080	960	790	620	
					24	1	28	1810	1560	1410	1250	1100	960	810	720	600	470	
					24	2-6 CL	28	2500	2150	1950	1720	1530	1330	1130	1000	830	650	
2"	S242	4-1/4" SQ.	25	.032	14	1	18	1200	1030	940	830	730	640	540	480	400	310	
					20	1	24	1230	1060	960	850	750	650	550	490	410	320	
					20	2-6 CL	24	1930	1660	1510	1330	1180	1020	870	770	640	500	
					24	1	28	1250	1080	980	860	760	660	560	500	410	330	
					24	2-6 CL	28	1940	1670	1510	1340	1180	1030	870	780	640	500	
2"	S243	4-1/4" SQ.	32	.032	14	1	18	1400	1200	1090	970	850	740	630	560	460	360	
					20	1	24	1450	1250	1130	1000	880	770	650	580	480	380	
					20	2-6 CL	24	2110	1810	1650	1460	1290	1120	950	840	700	550	
					24	1	28	1490	1280	1160	1030	910	790	670	600	490	390	
					24	2-6 CL	28	2180	1870	1700	1500	1330	1160	980	870	720	570	
24	3-6 CL	28	2510	2160	1960	1730	1530	1330	1130	1000	830	650						

ELEMENT CENTERLINE DIMENSIONS FOR ALTERNATE INSTALLATIONS

STEAM BRACKET W/ BRACKET MOUNTED HANGER



WALL MOUNTED BRACKET / LOUVERED INLET RETURN TO WALL



ELEMENT TUBE SIZE	FIN SIZE HEIGHT x WIDTH	CRADLE NUMBER	A MIN	A MAX
3/4 COPPER	3 5/8 x 4 1/4	2	7 3/8	8 3/4
	4 1/4 x 4 1/4	3A	7 11/16	9 1/16
1" COPPER	3 5/8 x 4 1/4	2	7 1/2	8 7/8
	4 1/4 x 4 1/4			
1 1/4 COPPER	3 5/8 x 4 1/4	2	7 5/8	9'
	4 1/4 x 4 1/4			
1" STEEL	4 1/4 x 4 1/4	2	7 5/8	9'
1 1/4 STEEL	4 1/4 x 4 1/4	2	7 7/8	9 1/4
2" STEEL	4 1/4 x 4 1/4	1	7 5/8	9'

DESIGN DATA

COMMERCIAL FINNED TUBE RATING CORRECTION CHARTS

CATALOG FINNED TUBE RATINGS ARE BASED UPON THE FOLLOWING CONDITIONS:

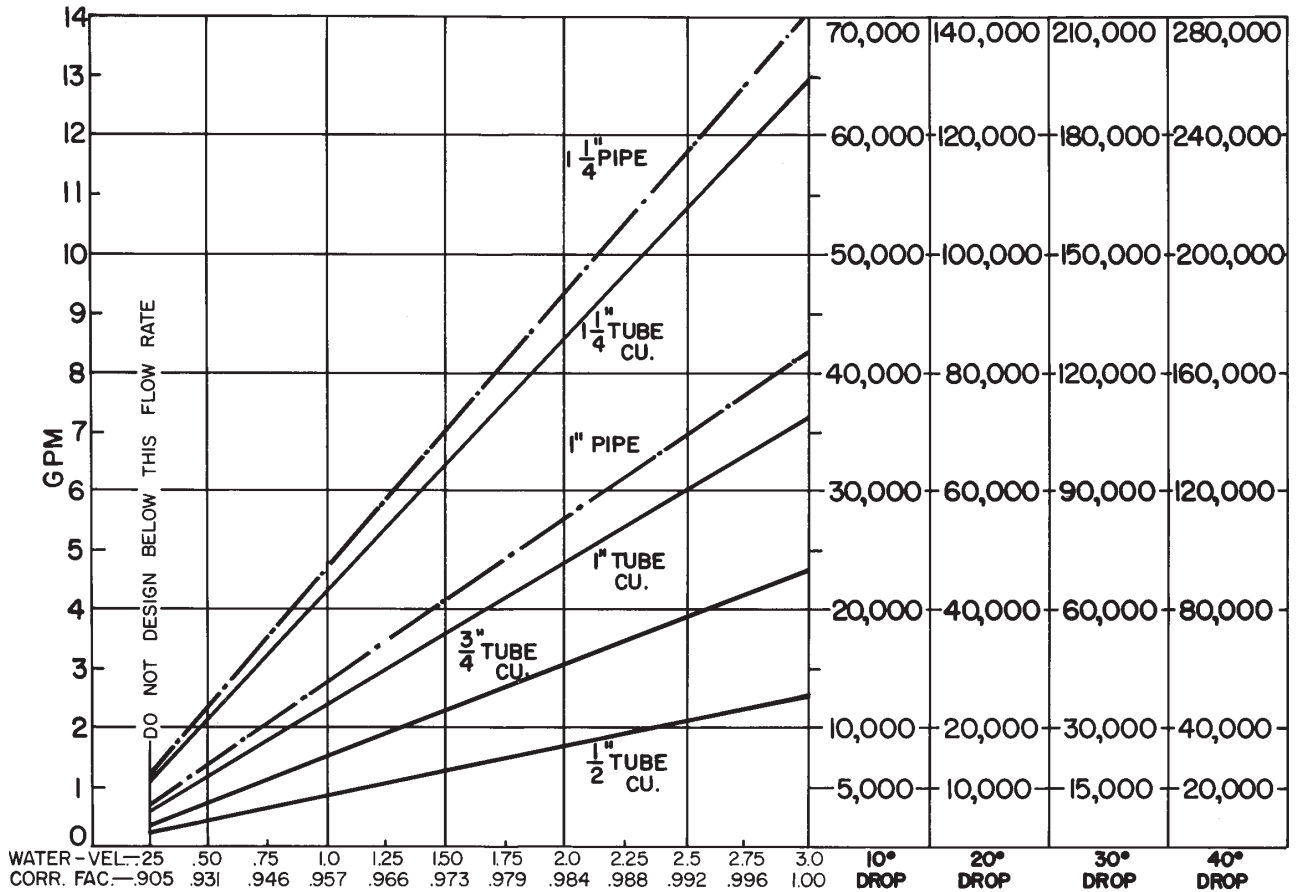
- 215°F AVERAGE WATER OR STEAM TEMPERATURE
- 65°F ENTERING AIR TEMPERATURE
- 3 FEET PER SECOND WATER FLOW RATE
- CATALOG MOUNTING HEIGHT

USE THE FOLLOWING CALCULATION WITH CORRECTION FACTORS FOR JOB CONDITIONS TO DETERMINE CORRECTED RATING:

$$\text{CORRECTED RATING} = (\text{215°F CATALOG RATING}) \times \left(\frac{\text{CORRECTION FACTOR FOR STEAM OR WATER AND AVERAGE AIR TEMP.}}{\text{CORRECTION FACTOR FOR FLOW RATE}} \right) \times \left(\frac{\text{CORRECTION FOR MOUNTING HTG.-SEE CATALOG RATING}}{\text{CORRECTION FOR MOUNTING HTG.-SEE CATALOG RATING}} \right)$$

USE THE FOLLOWING CHARTS TO SELECT CORRECTION FACTORS

CHART/WATER VEL./CORR. FACTOR / PRESS. DROP/TOTAL BTU.

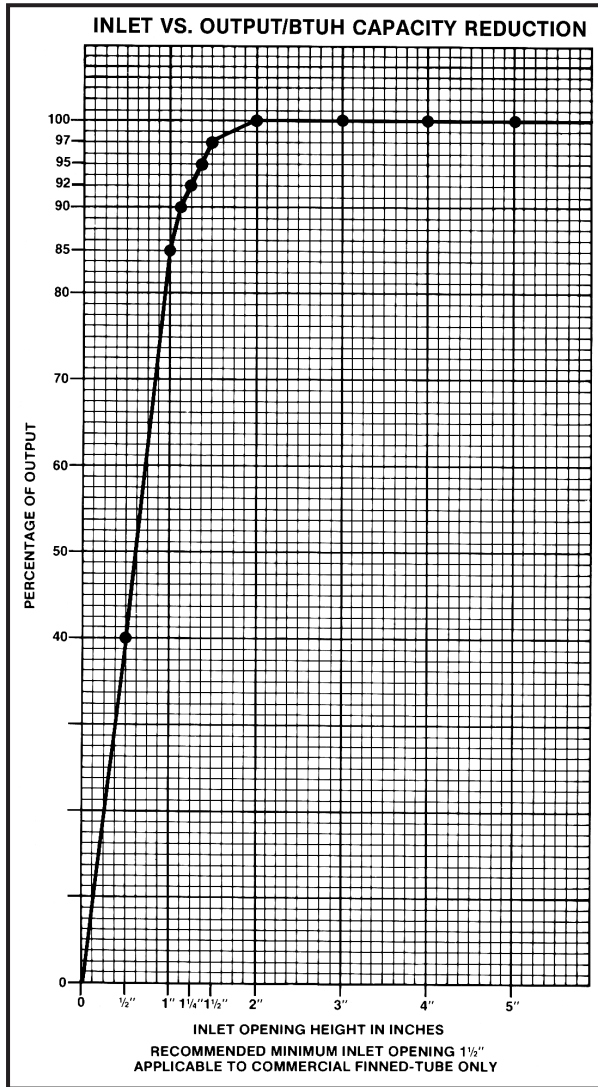


1/2" COP. ALUM.	1,80	2,33	5,33	9,16					
3/4" COP. ALUM.	.5	1,5	3,16	5,4	6,25				
1" COP. ALUM.	.233	.41	.83	1,45	2,16	2,83	3,66		
1" PIPE	.37	.79	1,3	2,00	2,70	3,70	4,80		
1 1/4" COP. ALUM.	.16	.33	.55	.79	1,08	1,33	1,8	2,25	2,26
1 1/4" PIPE	.09	.18	.31	.5	.70	1,0	1,1	1,3	1,6
1 1/2" TUBE CU.								1,8	2,58
1" TUBE CU.								2,3	3,3

} PRESSURE DROP PER 100 LINEAR FT., IN FEET OF HEAD

DESIGN DATA

INLET AIR CORRECTION FACTOR



GUARANTEED WORKING PRESSURES

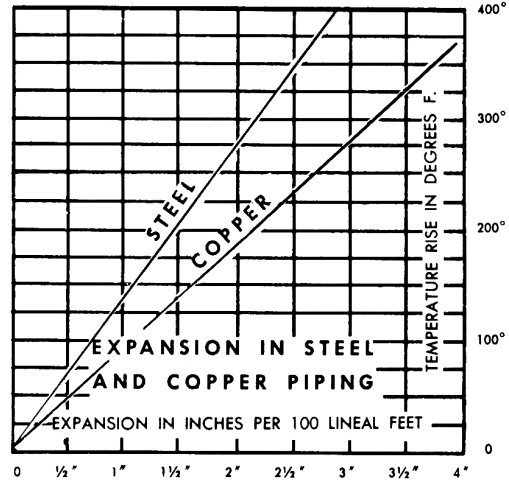
- 1" IPS — 780 AT TEMPERATURES UP TO 650°F.
 - 1 1/4" IPS — 660 AT TEMPERATURES UP TO 650°F.
 - 2" IPS — 405 AT TEMPERATURES UP TO 650°F.
 - 1 1/4" CU — 194 AT TEMPERATURES UP TO 300°F.
 - 1" CU — 204 AT TEMPERATURES UP TO 300°F.
 - 3/4" CU — 218 PSI AT TEMPERATURES UP TO 300°F.
- MAXIMUM PRESSURES AT OTHER TEMPERATURES ARE AVAILABLE UPON REQUEST.

RATE OF PITCH FOR STEAM 1/2" DROP OVER 20 FT. RUN.

PIPE WATER CAPACITIES AND QUANTITIES CIRCULATED AT VELOCITY OF 3* FEET PER SECOND			
Pipe Size	Gals. Per Linear Ft.	Gals./Min. @ 3' Sec. Vel.*	Lbs./Hr. @ 3' Sec. Vel.*
1/2"	.016	2.88	1440
3/4"	.023	4.14	2070
1"	.040	7.20	3600
1 1/4"	.063	11.34	5660
1 1/2"	.102	18.36	9160
2"	.170	30.60	15300
2 1/2"	.275	49.50	24850
3"	.390	70.20	35000

*3 Ft./Sec. Velocity is Basic for Hot Water Rating Factors Shown on this Page.

$$\text{VELOCITY FT./SEC.} = \frac{\text{LBS. PER HOUR}}{(\text{GALS. PER FT.}) (3600) (8.3)}$$



GLYCOL CORRECTION FACTORS

Fluid Temperature 200°F

% Solution	Ethylene Glycol	Propylene Glycol
20	.952	.988
30	.921	.968
40	.888	.943
50	.852	.912

Fluid Temperature 180°F

% Solution	Ethylene Glycol	Propylene Glycol
20	.946	.982
30	.913	.961
40	.879	.934
50	.842	.902

Fluid Temperature 140°F

% Solution	Ethylene Glycol	Propylene Glycol
20	.934	.97
30	.898	.946
40	.861	.916
50	.821	.881

ALTITUDE FACTORS

Approximate factors for convective heat value at varying altitudes

Altitude	Ferrous Units	Copper Alum. Units
Sea Level	1.000	1.000
1,000 ft.	.984	.969
2,000 ft.	.968	.938
3,000 ft.	.952	.908
4,000 ft.	.936	.878
5,000 ft.	.920	.850
6,000 ft.	.904	.822
7,000 ft.	.889	.795
8,000 ft.	.874	.768
9,000 ft.	.859	.743
10,000 ft.	.844	.718
15,000 ft.	.771	.603
20,000 ft.	.703	.502

CORRECTION FACTORS FOR STEAM PRESSURES AND AIR TEMPERATURES OTHER THAN STANDARD

STEAM		ENTERING AIR TEMPERATURE, °F														
Pressure		Temp.			STD											
Gauge	Abs. Psi	°F	45	55	65	70	75	80	85	90	100	110	120	130	140	150
(Vac) 15" Hg	7.32	178.9	0.90	0.80	0.70	0.65	0.60	0.56	0.51	0.45	0.39	0.32	0.25	0.18	0.13	0.08
(Vac) 10"	9.78	192.2	1.02	0.91	0.81	0.76	0.71	0.66	0.62	0.55	0.48	0.40	0.33	0.26	0.20	0.14
(Vac) 5"	12.25	202.9	1.11	1.00	0.90	0.85	0.79	0.75	0.70	0.63	0.56	0.48	0.40	0.33	0.27	0.20
(Vac) 0 Psi	14.696	212.0	1.19	1.09	0.97	0.92	0.87	0.82	0.77	0.70	0.63	0.54	0.46	0.38	0.31	0.25
▶ .899	15.595	215.0	1.22	1.11	1.00	0.95	0.90	0.84	0.80	0.75	0.65	0.57	0.48	0.40	0.33	0.26
5	19.70	227.1	1.34	1.22	1.11	1.05	1.00	0.95	0.90	0.81	0.75	0.66	0.57	0.49	0.41	0.34
10	24.70	239.4	1.45	1.33	1.22	1.17	1.11	1.05	1.00	0.91	0.85	0.75	0.66	0.58	0.50	0.42
15	29.70	249.8	1.55	1.43	1.31	1.26	1.20	1.14	1.09	1.00	0.94	0.84	0.75	0.66	0.57	0.49
20	34.70	258.8	1.63	1.52	1.40	1.33	1.28	1.23	1.17	1.07	1.02	0.92	0.82	0.73	0.64	0.55
25	39.70	266.8	1.71	1.59	1.47	1.41	1.36	1.30	1.25	1.15	1.09	0.98	0.89	0.80	0.71	0.62
30	44.70	274.0	1.78	1.66	1.54	1.48	1.42	1.37	1.31	1.21	1.15	1.05	0.95	0.85	0.76	0.68
40	54.70	286.7	1.91	1.79	1.66	1.61	1.54	1.49	1.43	1.32	1.27	1.16	1.06	0.97	0.87	0.78
50	64.70	297.7	2.02	1.90	1.77	1.71	1.65	1.60	1.54	1.42	1.37	1.26	1.16	1.06	0.96	0.87
60	74.70	307.3	2.10	2.00	1.87	1.81	1.75	1.69	1.63	1.51	1.47	1.35	1.25	1.15	1.05	0.95
70	84.70	316.0	2.20	2.09	1.95	1.89	1.83	1.77	1.71	1.59	1.55	1.44	1.33	1.23	1.12	1.03
80	94.70	323.9	2.27	2.17	2.03	1.97	1.91	1.85	1.80	1.69	1.63	1.52	1.41	1.31	1.20	1.10
90	104.70	331.2	2.36	2.24	2.11	2.05	1.98	1.93	1.87	1.74	1.70	1.59	1.48	1.38	1.28	1.17
100	114.70	337.9	2.43	2.31	2.18	2.11	2.05	2.00	1.94	1.81	1.77	1.65	1.54	1.44	1.33	1.23
125	139.70	352.9	2.59	2.47	2.33	2.27	2.21	2.16	2.10	1.96	1.92	1.80	1.69	1.59	1.48	1.38
150	164.70	365.9	2.73	2.62	2.47	2.43	2.35	2.29	2.23	2.08	2.05	1.94	1.82	1.72	1.61	1.51
175	189.70	377.4	2.86	2.74	2.60	2.54	2.47	2.41	2.35	2.21	2.17	2.05	1.95	1.85	1.73	1.63
200	214.70	387.8	2.95	2.85	2.71	2.63	2.58	2.52	2.47	2.31	2.29	2.17	2.06	1.96	1.84	1.75

From Keenan and Keyes — Linear Interpolation.

Note: Gauge pressure should be corrected for altitude.

CORRECTION FACTORS FOR WATER TEMPERATURES AND AIR TEMPERATURES OTHER THAN STANDARD

AVERAGE WATER TEMP. °F	ENTERING AIR TEMPERATURE, °F														
	45	55	STD	70	75	80	85	90	95	100	110	120	130	140	150
90	.19	.13	.11	.06											
100	.25	.19	.15	.11	.08	.06									
110	.31	.25	.20	.16	.13	.11	.08	.06							
120	.38	.31	.26	.21	.19	.16	.13	.11	.08	.06					
130	.45	.38	.33	.28	.25	.21	.19	.16	.13	.11	.06				
140	.53	.45	.40	.34	.31	.28	.25	.21	.19	.16	.11	.06			
150	.61	.53	.45	.41	.38	.34	.31	.28	.25	.21	.16	.11	.06		
160	.69	.61	.53	.49	.45	.41	.38	.34	.31	.28	.21	.16	.11	.06	
170	.77	.69	.61	.57	.53	.49	.45	.41	.38	.34	.28	.21	.16	.11	.06
180	.86	.77	.69	.65	.61	.57	.53	.49	.45	.41	.34	.28	.21	.16	.11
190	.95	.86	.78	.73	.69	.65	.61	.57	.53	.49	.41	.34	.28	.21	.16
200	1.05	.95	.86	.82	.77	.73	.69	.65	.61	.57	.49	.41	.34	.28	.21
210	1.14	1.05	.95	.91	.86	.82	.77	.73	.69	.65	.57	.49	.41	.34	.28
▶ 215 (STD.)	1.19	1.09	1.00	.95	.91	.86	.82	.77	.73	.69	.61	.53	.45	.38	.31
220	1.24	1.14	1.05	1.00	.95	.91	.86	.82	.77	.73	.65	.57	.49	.41	.34
230	1.34	1.24	1.14	1.09	1.05	1.00	.95	.91	.86	.82	.73	.65	.57	.49	.41
240	1.44	1.34	1.25	1.19	1.14	1.09	1.05	1.00	.95	.91	.82	.73	.65	.57	.49
250	1.55	1.44	1.34	1.29	1.24	1.19	1.14	1.09	1.05	1.00	.91	.82	.73	.65	.57
260	1.66	1.55	1.44	1.39	1.34	1.29	1.24	1.19	1.14	1.09	1.00	.91	.82	.73	.65
270	1.76	1.66	1.55	1.50	1.44	1.39	1.34	1.29	1.24	1.19	1.09	1.00	.91	.82	.73
280	1.87	1.76	1.66	1.60	1.55	1.50	1.44	1.39	1.34	1.29	1.19	1.09	1.00	.91	.82
290	1.99	1.87	1.76	1.71	1.66	1.60	1.55	1.50	1.44	1.39	1.29	1.19	1.09	1.00	.91
300	2.10	1.99	1.87	1.82	1.76	1.71	1.66	1.60	1.55	1.50	1.39	1.29	1.19	1.09	1.00